



## LOW TEMPERATURE UNDERCOUNTER DISHWASHER / GLASSWASHER

### L-1Xe



CMA MODEL:L-1Xe



48" Undercounter dishtable  
with Pre-Rinse



Universal Pedestal



Low Chemical Alarm

### FEATURES

- 40 racks / 160 covers per hour.
- **Economical to operate. Uses only 1.19 gallons of water per cycle.**
- All stainless steel construction assures long life and years of trouble free operation.
- 12-1/4" door opening.
- Unique spray arm system features upper and lower stainless steel wash arms with reinforced end caps.
- Built-in chemical pumps and deliming system assures proper chemical usage.
- Convenient to service "Work-in-a-drawer". All electrical components are attached to a sliding drawer for easy access and service.
- Pumped drain allows for flexible installation. Requires no floor drain.
- Pump purging system improves results by eliminating soil and chemical carryover during rinse cycle.
- Stainless steel pump impeller. Offers extended life and service.
- Built-in strainer in water inlet system to prevent water valve from clogging.
- Two dishracks included.
- Built-in prime switches.
- Built-in instant start.
- Door safety switch makes operation safe.
- Sustainer Heater

### AVAILABLE OPTIONS

- The "TEMP-SURE" requires a separate 240v 3 phase 40 amp power supply
- 6" Stainless Steel Legs  
4" Stainless Steel Legs
- Alternative electrical available for export

**CMA**  
**ENERGY MIZER**<sup>®</sup>  
Registered Trademark

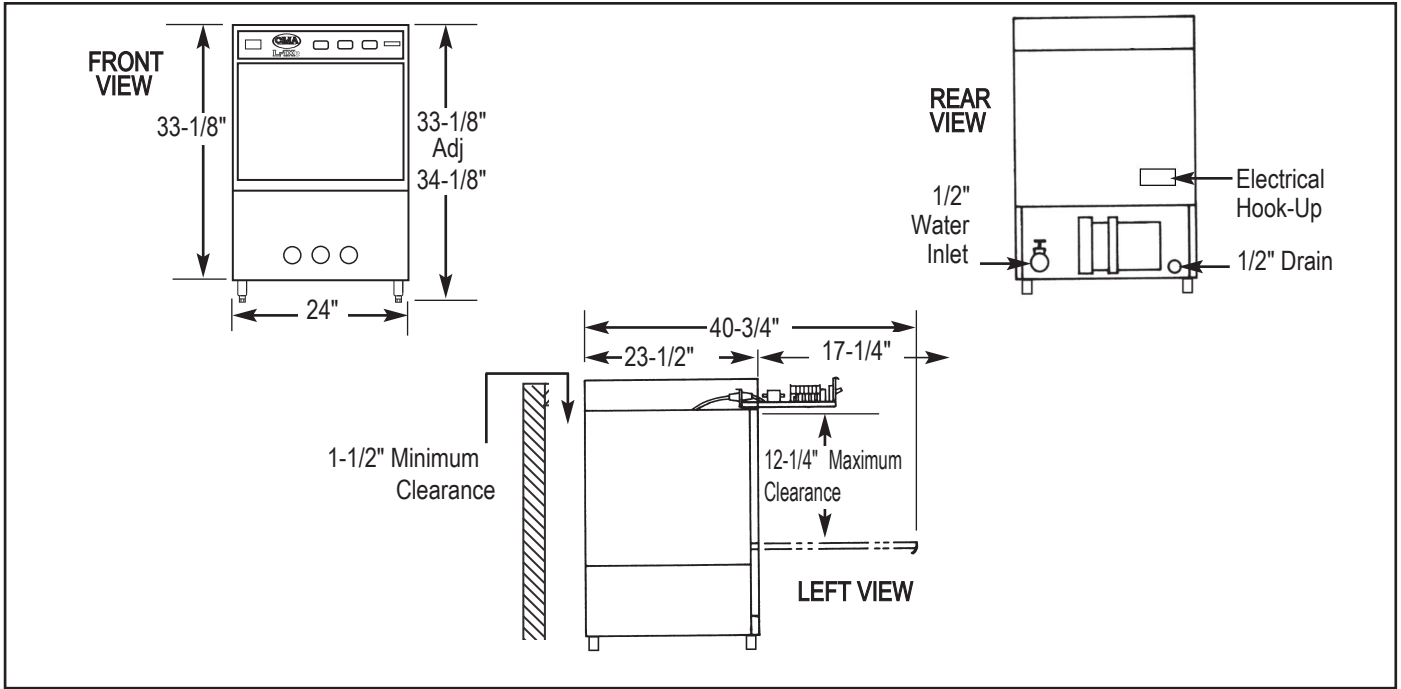




**L-1Xe**  
Chemical Sanitizing  
Undercounter  
Dishwasher / Glasswasher

**WARNINGS:**

- Plumbing connections must be made by a qualified service company who will comply with all available Federal, State, and Local Health, Plumbing and Safety codes.
- CMA recommends utilizing a water softening system to maintain water hardness measurements of 3.5 gpg (grains per gallon) or less. This will assure maximum results and optimum operation of the dishmachine.



**Specifications:**

UNDERCOUNTER DISHWASHER	L-1Xe	METRIC	USA	METRIC
<b>OPERATING CAPACITY</b>				
RACKS PER HOUR (NSF RATED)	40	40		
<b>OPERATING CYCLE</b>				
WASH TIME-SEC	46	46		
RINSE TIME-SEC	29	29		
DWELL/PURGE-SEC	15	15		
TOTAL CYCLE TIME	90	90		
WASH TANK CAPACITY	1.19 GAL.	(4.50 L)		
WASH PUMP CAPACITY	52 GPM	(196.8 LPM)		
<b>OPERATING TEMPERATURE</b>				
REQUIRED	120°F	(49°C)		
RECOMMENDED	140°F	(60°C)		
<b>WATER CONSUMPTION</b>				
PER RACK	1.19 GAL.	(4.50 L)		
PER HOUR	47.6 GAL.	(180 L)		
WATER INLET	1/2"	(1.27 cm)		
DRAIN	1/2"	(1.27 cm)		
<b>WASH PUMP MOTORS HP</b>			1	1
<b>DIMENSIONS</b>				
DEPTH			23-1/2"	(59cm)
WIDTH			24"	(61cm)
HEIGHT			33-1/8-34-1/8"	(84.7-87.3cm)
MAXIMUM CLEARANCE HEIGHT FOR WARES			12-1/4"	(31cm)
<b>STANDARD DISHRACK</b>			1	1
DIMENSIONS			20" x 20"	(50.8 x 50.8cm)
<b>ELECTRICAL RATING</b>			<b>VOLTS</b>	<b>AMPS</b>
			115	16
<b>APPROXIMATE SHIPPING WEIGHT</b>			190#	(86.2kg)
<b>SHIPPING DIMENSIONS</b>			PALLET & BOX @ 29" X 28" X 40"	

**Summary Specifications: Model L-1Xe** CMA Energy Miser low temperature undercounter chemical sanitizing commercial dishwashers meets UL and CUL sanitation and construction standards WITHOUT the use of BOOSTER HEATERS. The model L-1Xe is constructed entirely of stainless steel. Each unit automatically washes, rinses and sanitizes food service utensils in standard 19-3/4"X19-3/4" racks. Units comes standard with upper and lower stainless steel wash arms. The L-1Xe incorporates a pump purging system that improves results by eliminating soil and chemical carryover during rinse cycle.

**Advisory:** CMA does NOT endorse "Tankless On-Demand" water heaters for use on CMA Dishmachine products. CMA DOES endorse, and highly recommends, the standard "tank" style water heaters, sized properly to handle each particular facility with its water heating requirements.



[www.alco-chem.com](http://www.alco-chem.com)

NORTH: 45 N Summit Street, Akron, OH 44308 | Hours: M-F, 8:00-4:30 | PH: 330.253.3535 | 1.800.589.2526

SOUTH: 1303 Park Avenue SW, Canton, OH 44706 | Hours: M-F, 8:00-4:30 | PH: 330.833.8551 | 1.800.437.5248